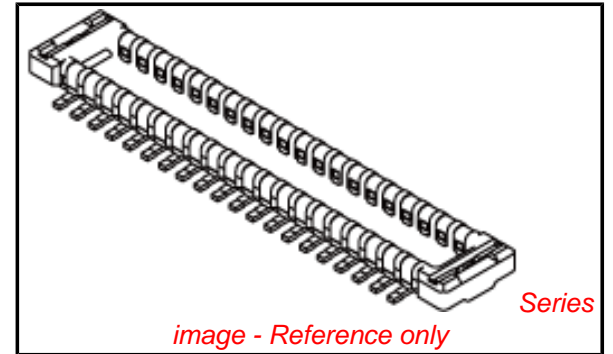


PLEASE CHECK WWW.MOLEX.COM FOR LATEST PART INFORMATION

Part Number: **5033082610**
Status: **Active**
Overview: slimstack_mm016_pitch
Description: 0.40mm (.016") Pitch SlimStack™ Board-to-Board, Plug, SMT, Dual Row, Vertical Stacking, 0.70mm (.028") Stacking Height, 26 Circuits

Documents:

[Drawing \(PDF\)](#) [RoHS Certificate of Compliance \(PDF\)](#)
[Product Specification PS-503304-001 \(PDF\)](#)



General

Product Family	PCB Headers
Series	<u>503308</u>
Application	Board-to-Board
Overview	<u>slimstack_mm016_pitch</u>
Product Name	SlimStack™

Physical

Breakaway	No
Circuits (Loaded)	26
Color - Resin	Black
Durability (mating cycles max)	30
Glow-Wire Compliant	No
Mated Height (in)	0.028 In
Mated Height (mm)	0.70 mm
Material - Metal	Copper Alloy
Material - Plating Mating	Gold
Material - Plating Termination	Gold
Number of Rows	2
Orientation	Vertical
PCB Locator	No
PCB Retention	Yes
Packaging Type	Embossed Tape on Reel
Pitch - Mating Interface (in)	0.016 In
Pitch - Mating Interface (mm)	0.40 mm
Polarized to Mating Part	No
Polarized to PCB	No
Stackable	No
Temperature Range - Operating	-40°C to +85°C
Termination Interface: Style	Surface Mount

Electrical

Current - Maximum per Contact	0.3A
Voltage - Maximum	50V AC/DC

Material Info

Reference - Drawing Numbers

Packaging Specification	SPK-503308-001
Product Specification	PS-503304-001
Sales Drawing	SD-503308-001, SD-503308-002

EU RoHS

**ELV and RoHS
Compliant**
REACH SVHC
 Not Reviewed
**Halogen-Free
Status**

China RoHS



Not Reviewed
**Need more information on product
environmental compliance?**

Email productcompliance@molex.com
 For a multiple part number RoHS Certificate of Compliance, [click here](#)

Please visit the [Contact Us](#) section for any non-product compliance questions.

Search Parts in this Series

503308Series

Mates With

503304 PCB Receptacle

注記 NOTES

1. 使用材料 MATERIAL
 ハウジング : 液晶ポリマー (LCP) UL94V-0 (黒)
 HOUSING: LIQUID CRYSTAL POLYMER UL94V-0 (COLOR:BLACK)
 ターミナル : 銅合金
 TERMINAL : COPPER ALLOY
 金具 : 銅合金
 FITTING NAIL : COPPER ALLOY

2. メッキ仕様 PLATING
 ターミナル TERMINAL

金メッキ
GOLD

下地メッキ : ニッケルメッキ
UNDER PLATING : NICKEL

※コンタクト部とテール部はニッケルメッキによって分断されている金メッキです。
DIVIDE INTO PARTS THE GOLD PLATING OF THE CONTACT AND THE TAIL PART BY THE NICKEL PLATING.

金具 FITTING NAIL

錫メッキ
Tin PLATING

下地メッキ : ニッケルメッキ
UNDER PLATING : NICKEL

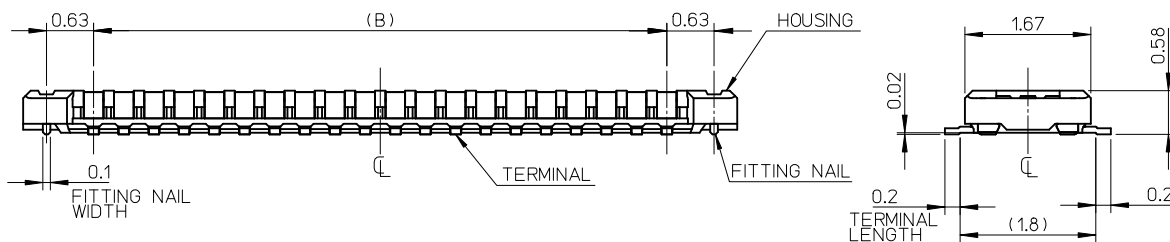
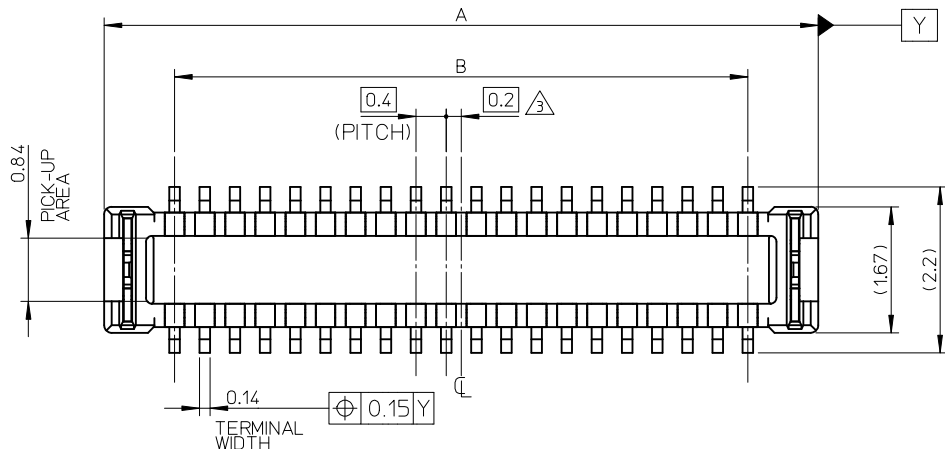
△ (全極数 / 2) = 偶数の場合に適用。
APPLY FOR (CIRCUIT/2)=EVEN.

4. 嵌合相手 : 503304 シリーズ
MATE WITH : 503304 SERIES.

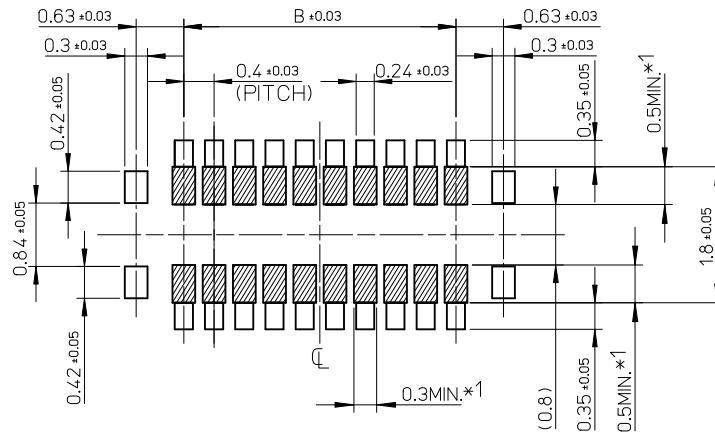
5. テール平坦度は、0.08 以下

テール及び金具の平坦度は、0.1 以下
TAIL COPLANARITY TO BE 0.08 MAXIMUM.
TAIL AND FITTING NAIL COPLANARITY TO BE 0.1 MAXIMUM.

11.6	13.47	503308-6020	60
9.6	11.47	503308-5010	50
8.4	10.27	503308-4410	44
8.0	9.87	503308-4210	42
7.6	9.47	503308-4010	40
5.6	7.47	503308-3010	30
4.8	6.67	503308-2610	26
3.6	5.47	503308-2010	20
3.2	5.07	503308-1810	18
2.8	4.67	503308-1610	16
2.0	3.87	503308-1210	12
B	A	EMBOSSED PACKAGE	
		オーダー番号 ORDER No.	極数 CIRCUITS
CONNECTOR SERIES No. : 503308-**09			



REVISED EC NO: J2010-4761 DRWN: TAKAHASHI 03/2009/12/23 CHKD: THIRATA 2010/03/17 APPR: MSASAO 2010/03/18	DESCRIPTION	GENERAL TOLERANCES (UNLESS SPECIFIED)		DIMENSION STYLE MM ONLY		SCALE 15:1	DESIGN UNITS METRIC	THIRD ANGLE PROJECTION	
		10 UNDER	±0.2	DRAWN BY KSASAKI	DATE 2008/04/17	TITLE 0.4 B-TO-B CONN. HGT=0.7 W=2.6 PLUG ASS'Y			
		10 OVER 30 UNDER	±0.25	CHECKED BY THIRATA	DATE 2008/04/17	MOLEX MOLEX INCORPORATED			
		30 OVER	±0.3	APPROVED BY MSASAO	DATE 2008/04/17				
REV		ANGULAR ±1 °	DRAFT WHERE APPLICABLE MUST REMAIN WITHIN DIMENSIONS	MATERIAL NO. SEE CHART	DOCUMENT NO. SD-503308-001	SHEET NO. 1 OF 2			



*1 パターン引き回し、および半田禁止エリア
 (当該箇所においては、これと接する回路以外の配線を禁止する。
 また、接する回路を配線する場合はレジストを施し、この部分に
 半田は無きこととする。)

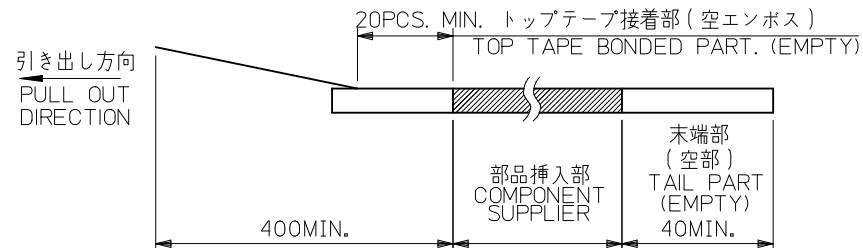
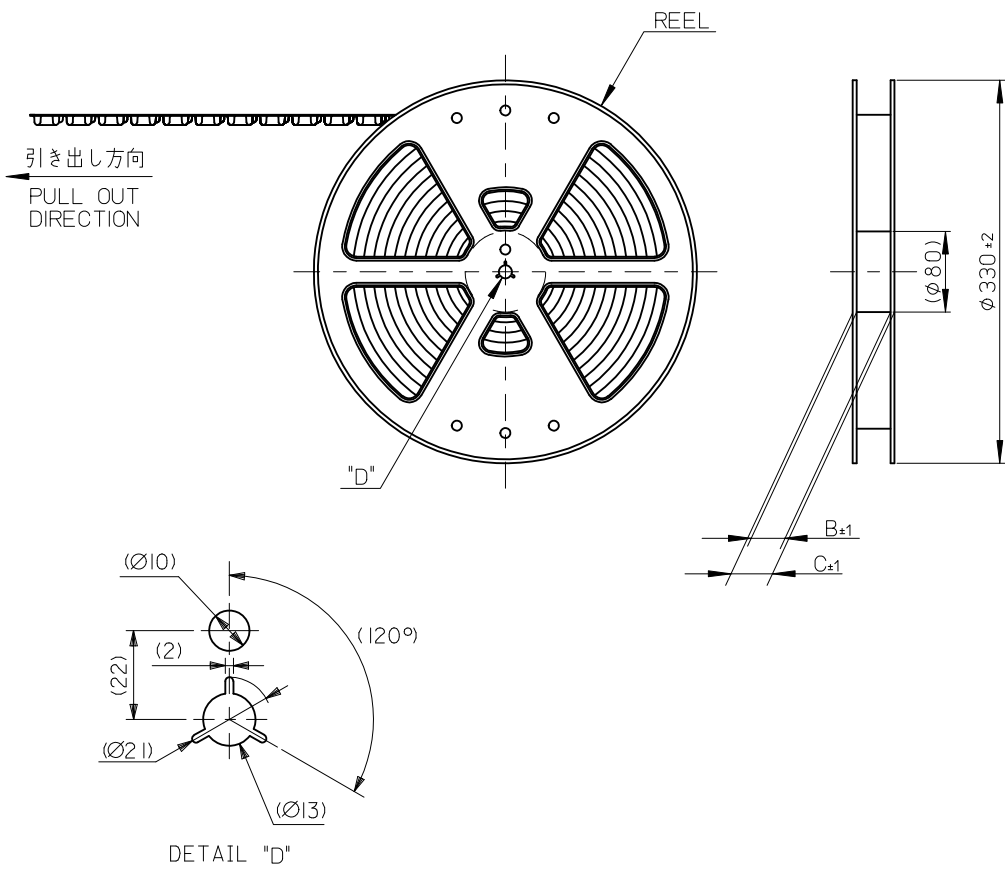
*1 PROHIBITED AREA OF PATTERN WIRING AND SOLDER.
 (FOR EACH AREA, THE WIRING THAT TOUCHES ON THE SOLDER
 CAN BE ATTACHED, THEN COVERED WITH A FILM TO KEEP SOLDER OUT.)

RECOMMENDED P.W. BOARD
 PATTERN LAYOUT

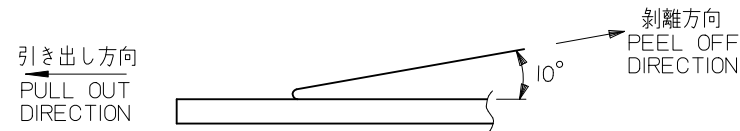
REVISED EC NO: J2010-1761 DRWN: TAKAHASHI 03/2009/12/23 CHK'D: THIRATA 2010/03/17 APPR: MSASAO 2010/03/18	GENERAL TOLERANCES (UNLESS SPECIFIED)		DIMENSION STYLE MM ONLY		SCALE 15:1	DESIGN UNITS METRIC	THIRD ANGLE PROJECTION	
	10 UNDER	± 0.2	DRAWN BY KSASAKI	DATE 2008/04/17	TITLE 0.4 B-TO-B CONN. HGT=0.7 W=2.6 PLUG ASS'Y			
	10 OVER 30 UNDER	± 0.25	CHECKED BY THIRATA	DATE 2008/04/17				
	30 OVER	± 0.3	APPROVED BY MSASAO	DATE 2008/04/17	MOLEX INCORPORATED			
	ANGULAR ± 1 °		MATERIAL NO.	DOCUMENT NO.				
DRAFT WHERE APPLICABLE MUST REMAIN WITHIN DIMENSIONS		SEE CHART		THIS DRAWING CONTAINS INFORMATION THAT IS PROPRIETARY TO MOLEX INCORPORATED AND SHOULD NOT BE USED WITHOUT WRITTEN PERMISSION				

注記 NOTES

- 製品詳細寸法については製品単体図面を参照下さい。
RE DETAILED DIMENSION, SEE PRODUCT DRAWING.
- 梱包数量: 3000 個/リール
NUMBER OF CONNECTORS: 3000PCS/REEL
- リードテープ長さ LEAD TAPE LENGTH



- トップテープの剥離強度: 0.1N~1.3N(10gf~130gf)
(剥離方向は下図参照)
尚、本規格値は出荷時に適用。(但し、輸送時に剥離が発生しないこと。)
PEELING OFF FORCE OF TOP TAPE: 0.1N~1.3N(10gf~130gf)
(PEELING DIRECTION AS SHOWN IN FOLLOWING FIG.)
THIS REQUIREMENT SHOULD BE APPLIED AT SHIPMENT.
PEEL OFF SHOULD NOT BE ALLOWED, DURING TRANSPORTION.

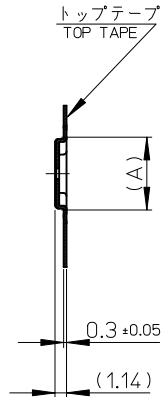


- 材料 MATERIAL
キャリアテープ (CARRIER TAPE): ポリスチレン (POLYSTYRENE)
トップテープ (TOP TAPE): PET, OTHER
リール (REEL): ポリスチレン (PS) <リサイクル材を含む>
POLYSTYRENE (PS) <RECYCLE MATERIAL CONTAINED>
- ELV 及び RoHS適合品
ELV AND RoHS COMPLIANT

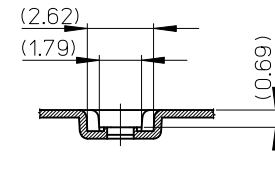
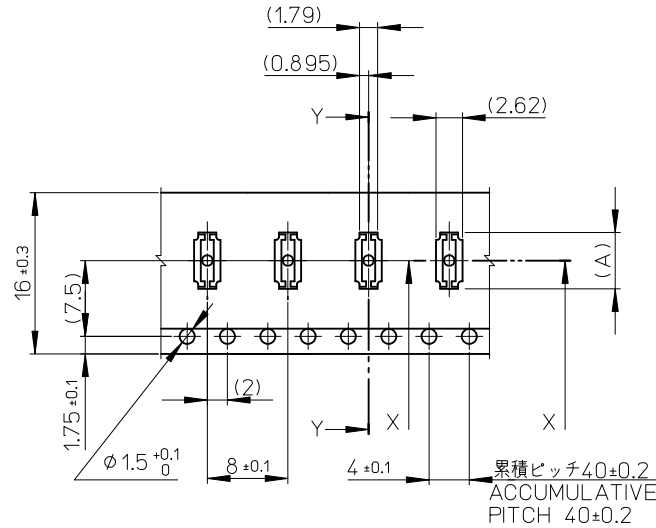
MODEL NO. 503308-**10

REVISED EC NO: J2010-1761 DRWN: TAKAHASHI 03 2010/01/22 CHKD: THIRATA 2010/03/17 APPR: MSASAO 2010/03/18	GENERAL TOLERANCES (UNLESS SPECIFIED)		DIMENSION STYLE MM ONLY		SCALE 1:1	DESIGN UNITS METRIC	THIRD ANGLE PROJECTION
	10 UNDER	±0.2	DRAWN BY KSASAKI	DATE 2008/12/12	TITLE 0.4 B-TO-B CONN. HGT=0.7 PLUG ASSY EMBSTP PKG		
	10 OVER 30 UNDER	±0.25	CHECKED BY THIRATA	DATE 2008/12/12	MOLEX INCORPORATED		
	30 OVER	±0.3	APPROVED BY MSASAO	DATE 2008/12/12	MATERIAL NO. SEE CHART	DOCUMENT NO. SD-503308-002	SHEET NO. 1 OF 3
ANGULAR	±1 °	THIS DRAWING CONTAINS INFORMATION THAT IS PROPRIETARY TO MOLEX INCORPORATED AND SHOULD NOT BE USED WITHOUT WRITTEN PERMISSION					
DRAFT WHERE APPLICABLE MUST REMAIN WITHIN DIMENSIONS							

引き出し方向
PULL OUT DIRECTION



SECTION Y-Y

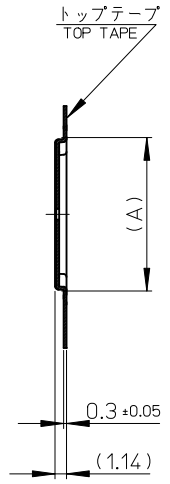


SECTION X-X

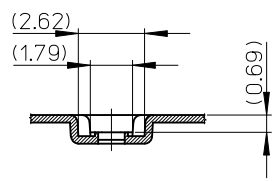
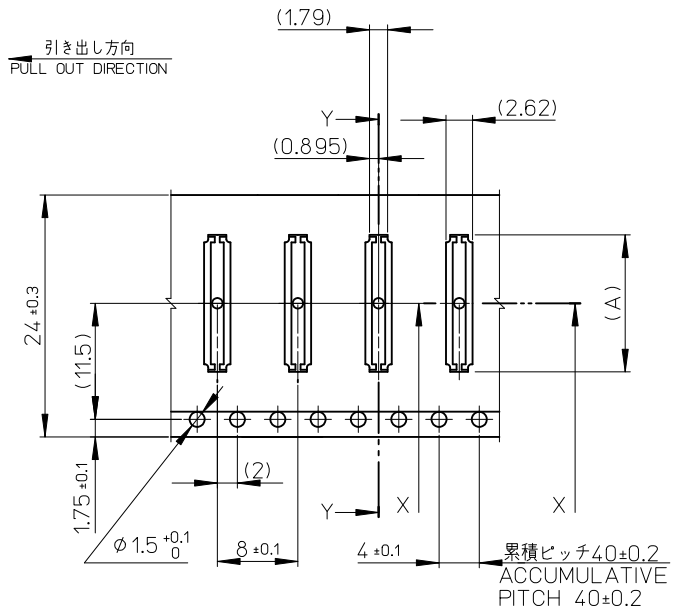
16mm 幅キャリアテープ
16mm WIDTH CARRIER TAPE

16	21.4	17.4	6.79	503308-2610	26
			5.59	503308-2010	20
			5.19	503308-1810	18
			4.79	503308-1610	16
			3.99	503308-1210	12
キャリアテープ幅 CARRIER TAPE WIDTH			C	B	(A)
			MATERIAL No.		CKT.
			MODEL No.		503308-**-10

REVISED EC NO: J2010-1761 DRWN: TAKAHASHI 2010/02/03 CHKD: THIRATA 2010/03/17 APPR: MSASAO 2010/03/18	GENERAL TOLERANCES (UNLESS SPECIFIED)		DIMENSION STYLE MM ONLY		SCALE	DESIGN UNITS	THIRD ANGLE PROJECTION		
	10 UNDER	± 0.2	DRAWN BY DATE		TITLE				
	10 OVER 30 UNDER	± 0.25	KSASAKI 2008/12/12		0.4 B-TO-B CONN. HGT=0.7 PLUG ASSY EMBSTP PKG				
	30 OVER	± 0.3	CHECKED BY DATE		MOLEX INCORPORATED				
	ANGULAR	± 1 °	THIRATA 2008/12/12		DOCUMENT NO.		SHEET NO.		
DRAFT WHERE APPLICABLE MUST REMAIN WITHIN DIMENSIONS		APPROVED BY DATE		MSASAO 2008/12/12		SD-503308-002		2 OF 3	
		MATERIAL NO.		SEE CHART				THIS DRAWING CONTAINS INFORMATION THAT IS PROPRIETARY TO MOLEX INCORPORATED AND SHOULD NOT BE USED WITHOUT WRITTEN PERMISSION	
		SIZE		A3					



SECTION Y-Y



SECTION X-X

24mm 幅キャリアテープ
24mm WIDTH CARRIER TAPE

24	29.4	25.4	13.59	503308-6020	60
			11.59	503308-5010	50
			10.39	503308-4410	44
			9.99	503308-4210	42
			9.59	503308-4010	40
			7.59	503308-3010	30
キャリアテープ幅 CARRIER TAPE WIDTH			C	B	(A)
			MATERIAL No.		CKT.
			MODEL No.		503308-**-10

REVISED EC NO: J2010-1761 DRWN: TAKAHASHI 03 2010/02/03 CHKD: THIRATA 2010/03/17 APPR: MSASAO 2010/03/18	DESCRIPTION REV	GENERAL TOLERANCES (UNLESS SPECIFIED)		DIMENSION STYLE MM ONLY		SCALE	DESIGN UNITS	THIRD ANGLE PROJECTION		
		10 UNDER ± 0.2		DRAWN BY DATE KSASAKI 2008/12/12		TITLE	0.4 B-TO-B CONN. HGT=0.7 PLUG ASSY EMBSTP PKG			
		10 OVER 30 UNDER ± 0.25		CHECKED BY DATE THIRATA 2008/12/12						
		30 OVER ± 0.3		APPROVED BY DATE MSASAO 2008/12/12		MATERIAL No.		DOCUMENT No.		SHEET No.
		ANGULAR ± 1 °		DRAFT WHERE APPLICABLE MUST REMAIN WITHIN DIMENSIONS		SEE CHART		SD-503308-002		3 OF 3